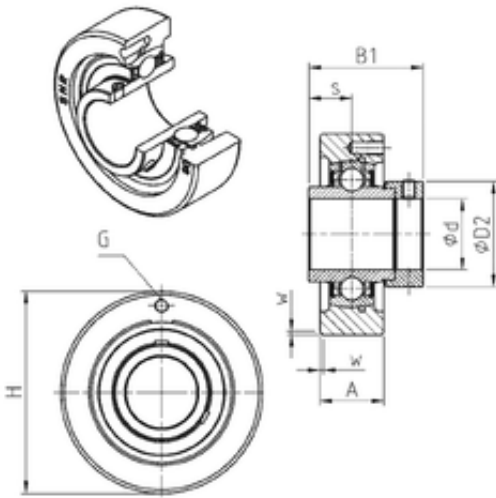




BEARING CORP.OF CANADA LTD.



EXC311 Bearing 2D drawings and 3D CAD models

SNR EXC311 Bearing units

Bearing No. EXC311

Bore Diameter	55 mm
d	55 mm
s	27,8 mm
A	44 mm
B1	73 mm
D2	83 mm
H	150 mm
W	3,5 mm
Thread (G)	M6x1
Weight	4,3 Kg
Basic dynamic load rating (C)	71,5 kN
B	55.6 mm
A3	3.5 mm
A5	27.8 mm
d1	83 mm
G	M6x1
s1	50 mm
S	27.8 mm
SW	5 mm
C	71.5 kN
C0	44.8 kN
T min.	-20 ° C
T max.	100 ° C
Recommended tightening torque for set screw	22 Nm
Designation of housing	C311-



BEARING CORP.OF CANADA LTD.

Designation of bearing

EX311G2