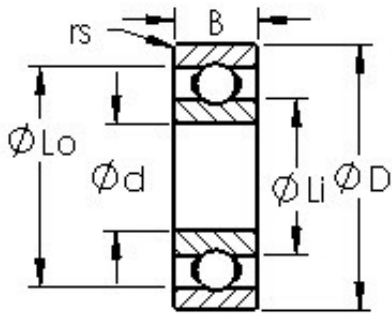




BEARING CORP.OF CANADA LTD.



SR4A Bearing 2D drawings and 3D CAD models

AST SR4A Deep groove ball bearings

Bearing No. SR4A

Bore Diameter	6,35 mm
Outer Diameter	19,05 mm
Width	5,55752 mm
Bearing Type	Open
Bore Dia (d)	0.2500
Outer Dia (D)	0.7500
Width (B)	0.2188
Radius (min) (rs)	0.016
Dynamic Load Rating (Cr)	446
Static Load Rating (Cor)	161
Max Speed (Grease) (X1000 RPM)	36
Max Speed (Oil) (X1000 RPM)	43
Max. Shaft Shoulder Dia. Inner (Li)	0.4
Min. Housing Shoulder Dia., Outer (Lo)	0.6
Ball Qty	6
Ball Dia (Dw)	0.1378
Weight (g)	7.48
Precision	A1
Standard Clearance	K25
Material	Martensitic Stainless Steel